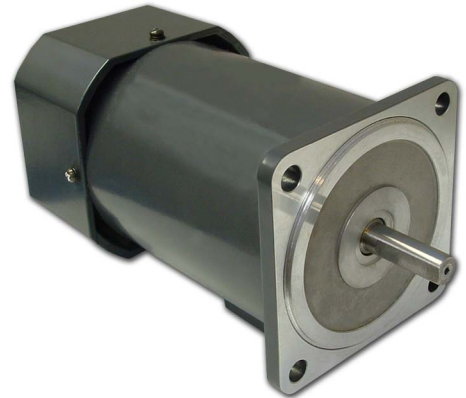


# ACW120-100-192 - AC Motor



## FEATURES

- **Single Phase AC Motor**
- **Torque Up to 104.79 oz-in**
- **100mm Motor Diameter**
- **120 Watts of Power**
- **Can be Customized for**
  - **Winding Current**
  - **Shaft Options**
  - **Cables and Connectors**



## DESCRIPTION

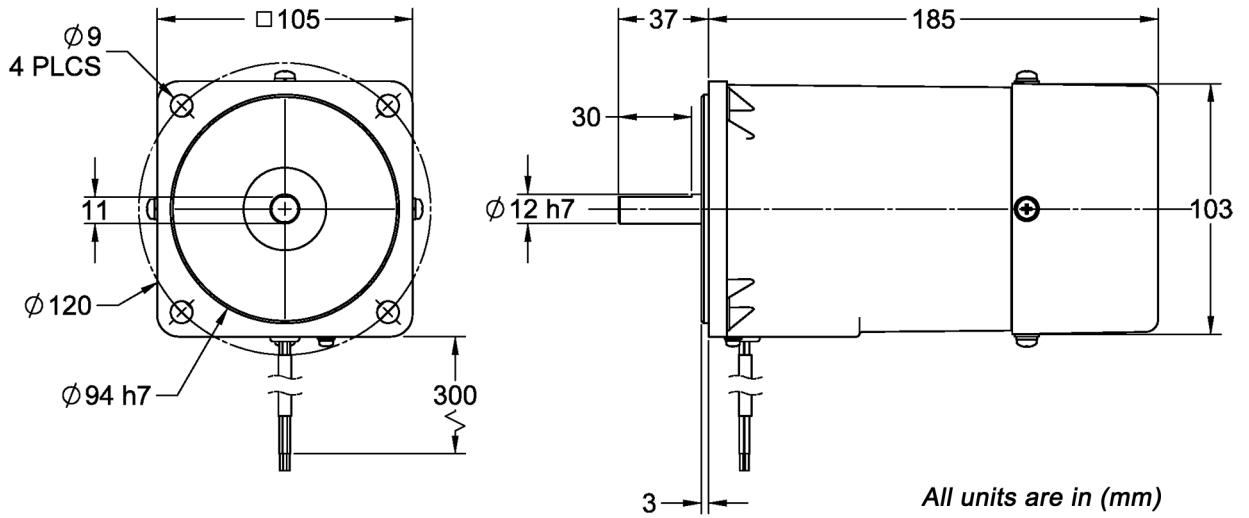
Anaheim Automation's single phase AC motors come in a variety of starting torques, rated torques and current. The ACW120-100-192 AC motor has a starting torque of 101.96 oz-in. They run up to 1550 RPM with single phase 110VAC, 60Hz. The ACW120-100-192 offers torque ranges up to 104.79 oz-in. Other models are also available with gear ratios to provide even higher torques. Custom options for the Single Phase AC motor line include optimizing the maximum speed, torque, current, voltage, cabling, wiring, connectors, and shaft modifications.

## SPECIFICATIONS

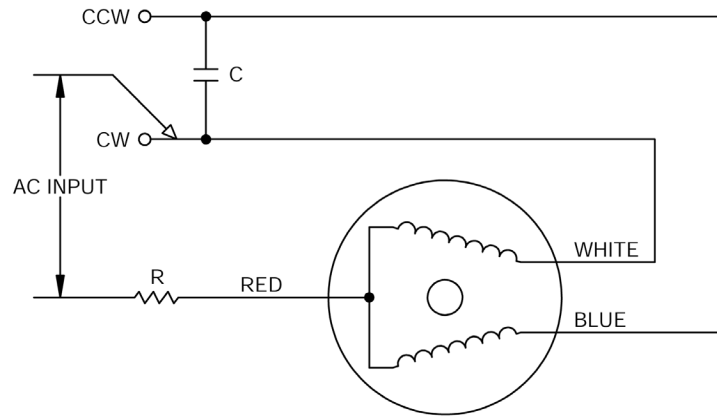
Model #	Input Voltage (VAC)	Power (W)	Current (A)	Motor Speed (RPM)	Start Torque (oz-in)	Rated Torque (oz-in)	Motor Diameter (mm)	Motor Length (mm)	Weight (lbs)
ACW120-100-192-110-1550	110	120	2.10	1550	101.96	104.79	100	185	10.67

L010507

DIMENSIONS



WIRING DIAGRAM



SPECIFICATIONS

Capacitor: $\mu\text{F/VAC}$	30 / 250	Phase:	Single-phase
Frequency:	60Hz	AC Motor Type:	Reversible
Humidity:	90%	Operating Temperature:	10° F to 131°F